

Report No. K34732024Z1
Residential space heating appliances
Initial type test
-Renaming-
DIN EN 14785

Type:
PF 1320 S

Company: JOTUL FRANCE SAS
Trademark: JOTUL FRANCE

2024



This accreditation is valid only for the listed standards as stated in the accreditation annex of D-PL-11120-04-00

**This report may only be published and forwarded to third parties in its complete, unabridged form. The publication or dissemination of extracts, summaries, appraisals or any other adaptation and alterations, in particular for advertising purposes, is only permissible with the prior written permission of TÜV Rheinland.
Publication of page 2 is permitted.**

The test results presented in this report refer solely to the test object stated as described on page 2. The report does not represent a general statement about the serial production of the test object and gives not an authorization for use of a TÜV Rheinland test- / certification mark.

Initial Type Testing
Residential space heating appliances fired by wood pellets
-Pellet stove-
DIN EN 14785: September 2006
Correction 1 DIN EN 14785:10.2007

Applicant/contractor:	JOTUL FRANCE SAS 3, chemin du jubin F-69574 Dardilly Cedex
Trademark:	JOTUL FRANCE
Type designation:	PF 1320 S
Type of appliance:	Residential space heating appliance fired by wood pellets without water heat exchanger with fan assisted flue discharge with internal fuel hopper
Total heat input	3,1-14,4 kW
Space heat output	2,8-13,0 kW
Water heat output:	Not applicable
Fuels:	Wood pellets

Remarks: Room sealed stove

Test results:

The technical requirements cl. 4-8 of the above mentioned standard are fulfilled. The local applicable installation conditions are to be observed.

The electrical safety cl. 5.9. of the standard was not a part of this initial type testing.

The presumption of conformity with the relevant European Directives could only be confirmed by full compliance with Annex ZA.

Additional details are documented in the initial report K31232021T1

Cologne, 22.03.2024
667/pom

TÜV Rheinland Energy & Environment GmbH
Test Centre according to Construction Product
Regulation 305/2011(CPR)
Notified Body: 2456

Expert

Report released after review

Dipl.-Ing. A. Pomp

Dipl.-Ing. M. Reibold

Residential space heating appliances fired by wood pellets, Initial Type Test in accordance with the regulation 305/2011 conformity certification system no. 3
--

1. Task

The Test Centre for Energy Appliances was instructed to execute a renaming on the above mentioned pellet stove.

Basic	New
Palazzetti Lelio S.p.A. I-33080 Porcia (PN)	JOTUL FRANCE SAS F-69574 Dardilly Cedex
Reports K31232021T1	Report K 34732024Z1
AP400S_0_13	PF 1320 S

2. Testing

The practical tests were performed by CMC Centro Misure Compatibilità S.r.l., via della Fisica 20 Thiene (VI), on the 19th - 20th - 21th - 22th - 23th of July, on the 28th of September and on the 22th - 23th - 24th - 26th of November 2021 (report K31232021T1). JOTUL FRANCE SAS ensures that modifications on the above mentioned products were not carried out.

2.1 Resume of test results

PF 1320 S		Nominal	Partial	Requirement
Mass of the test fuel fired hourly	kg/h	2,988	0,638	-
Flue gas mass flow	g/s	6,33	3,38	-
Flue gas temperature	°C	221,0	105,9	-
Flue draught	mbar	0,10	0,10	0,12/0,10 +/-0,02 or declared value
CO ₂ -concentration	Vol.-%	16,3	6,1	-
O ₂ -concentration	Vol.-%	4,7	14,8	-
CO-concentration	ppm	59	145	-
CO-emission (at 13%-O ₂)	mg/m ³	36	236	≤ 500/750
CO-emission	mg/kWh	81	531	-
CO-emission	mg/MJ	22	147	-
NO _x -concentration	ppm	99	35	-
NO _x -emission (at 13%-O ₂)	mg/m ³	99	92	-
NO _x -emission	mg/kWh	222	207	-
NO _x -emission	mg/MJ	62	58	-
CnHm-concentration measured acc. to CEN/TS 15883	ppm	2	3	-
CnHm-emission (at 13%-O ₂)	mg/m ³	2	5	-
CnHm-emission	mg/kWh	4	12	-
CnHm-emission	mg/MJ	1	3	-
Dust concentration measured acc. to CEN/TS 15883 and EN13284-1 *	mg	7	4	-
Dust emission (at 13%-O ₂)	mg/m ³	13	16	-
Dust emission	mg/kWh	28	36	-
Dust emission	mg/MJ	8	10	-
Total heat input	kW	14,4	3,1	-
Total heat output	kW	13,0	2,8	-
Water heat output	kW	-	-	-
Space heat output	kW	13,0	2,8	-
Efficiency	%	90,5	90,9	≥ 75/70 (EN14785)

Temperatures

PF 1320 S			Requirement
Maximum temperatures at trihedron:			
- Side	°C	55,1	≤ 65 K over t_{ambient}
- Back side	°C	42,7	≤ 65 K over t_{ambient}
- Front side	°C	68,3	≤ 65 K over t_{ambient}
- Floor	°C	44,3	≤ 65 K over t_{ambient}
Distances:			
- Backside-Pelletstove	mm	50	
- Side-Pelletstove	mm	300	
- Front-Pelletstove	mm	800	
Ambient temperature	°C	28,9	
Max. temperature in fuel hopper	°C	85,0	≤ 65 K over t_{ambient}
Max. temperature of operating tool 1 (handle of fuel hopper)	°C	59,6	≤ 35 K over t_{ambient}
Max. temperature of operating tool 2 (control panel)	°C	52,2	≤ 60 K over t_{ambient}

Leakage tests

PF 1320 S		Before mechanical and thermal tests	After mechanical tests	After mechanical and thermal tests	Limit
Leakage test of combustion room at 5 Pa	m ³ /h	< 0,3	< 0,3	< 0,3	-
Leakage test of combustion room at 10 Pa	m ³ /h	0,4	0,4	0,4	2,0
Leakage test of combustion room at 15 Pa	m ³ /h	0,5	0,5	0,5	-
Leakage test of combustion room at 50 Pa (acc. to EN613, cl. 6.2.2.2)	m ³ /h	1,5	1,5	1,5	2,5

All the appliances are sealed for Germany (typ FC62x) and for France requirements (acc. to EN613, cl. 6.2.2.2).

3. Statement of the test results

The appliance

PF 1320 S

of

JOTUL FRANCE SAS

comply with the requirements acc. DIN EN 14785: September 2006. The results of the basic initial type test (see report K31232021T1) are not affected by the renaming.

The electrical safety cl. 5.9. of the standard was not a part of this initial type testing.

The presumption of conformity with the relevant European Directives could only be confirmed by full compliance with Annex ZA.

This statement was given based on the documentation submitted by the manufacturer and the tested sample. The statement is valid only for products / appliances which are manufactured according to the tested specimen.

4 Test documents

A 1	Declaration of identical construction	11/03/2024
A 2	Type label	
A 3	Drawing	
A 4	DOP	12/03/2024
A5	Declaration of marketer	12/03/2024

A01



DICHIARAZIONE: equivalenza apparecchio
DECLARATION: appliance equivalence

Il sottoscritto: MARCO PALAZZETTI
The undersigned:
nella funzione di: CEO
in quality of (position in the company):
dell'azienda: PALAZZETTI LELIO S.p.A.
of the company:
con sede in: PORCIA
located in : Via Roveredo 103

dichiara che:
declares that:

L'apparecchio(i) tipo: AP400S_0_13
Appliance/s type:
Marchio commerciale: Palazzetti
Trade Mark :
Comercializzatore: Palazzetti Lelio SpA
Marketer:

E' equivalente per prestazioni e costruzione al' apparecchio :
Is equivalent for performance and manufacturing to appliance:

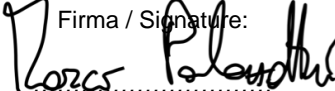
L'apparecchio(i) tipo: PF 1320 S
Appliance/s type:

Marchio commerciale: Jotul
Trade Mark :

Le principali differenze sono :
The main differences are:

Il tipo
The type name.
Rivestimento estetico
External cladding
Il contenuto del manuale è identico
The content of the manual is identical.

Data / Date: 11/03/2024

Firma / Signature:


A02



JØTUL FRANCE SAS 3, chemin du jubin 69574 Dardilly Cedex

DOP Nr. P00054565 – N.B. 2456 **EN 14785:2006**

TYPE N. PF 1320 S

Matr N° -----

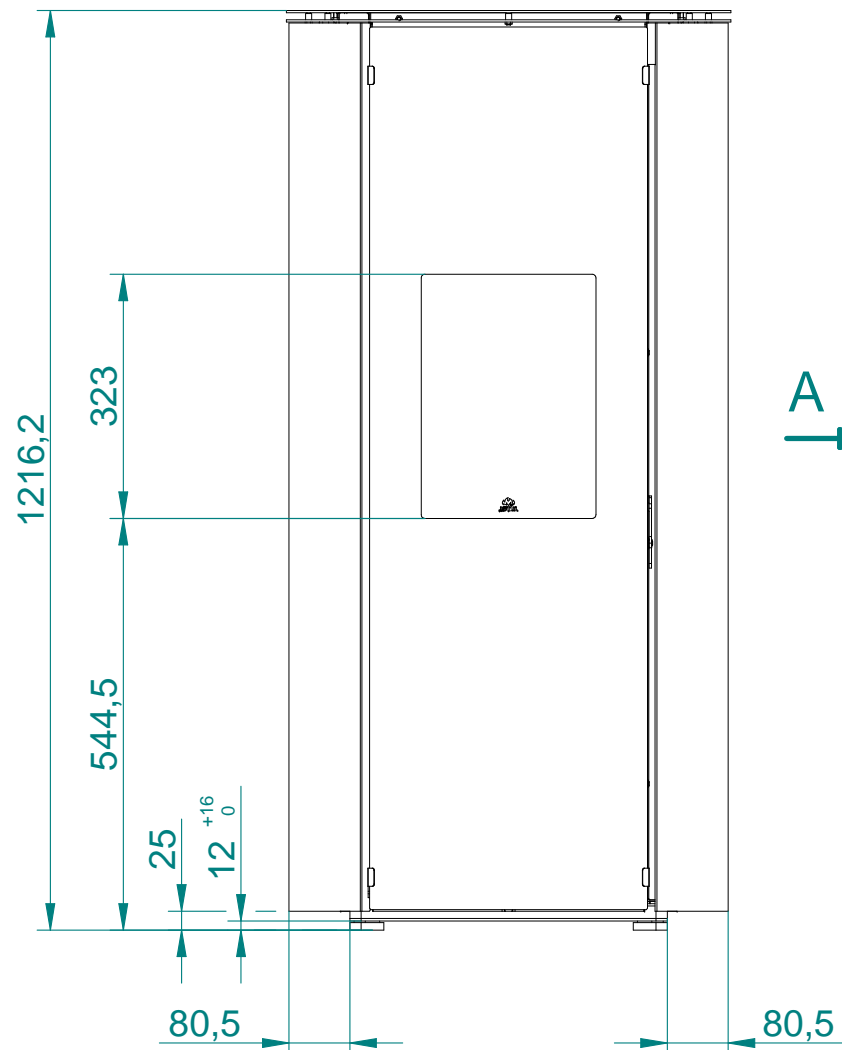
Combustible			Pellet
Puissance max d'entrée	Plmax	11.4	kW
Puissance min d'entrée	Plmin	3.1	kW
Puissance nominale	Pmax	13	kW
Puissance réduite	Pmin	2.8	kW
Rendement à puissance nominale	EFFmax	90.5	%
Rendement à puissance réduite	EFFmin	90.9	%
Emissions de CO (réf. 13% O2) à puissance nominale	COmax	36	mg/Nm ³
Emissions de CO (réf. 13% O2) à puissance réduite	COmin	236	mg/Nm ³
Particules fines (13%O2)		13	mg/Nm ³
Température des fumées		221	°C
Distance minimale par rapport aux matériaux combustibles	X1/X2/Y	800/50/200	mm
Tension	V	230	~V
Fréquence	F	50	Hz
Puissance électrique maximale utilisée en phase de fonctionnement	Wmin	130	W
Puissance électrique maximale utilisée en phase d'allumage	Wmax	360	W

Se conformer aux instructions d'utilisation
Utiliser uniquement les combustibles recommandés

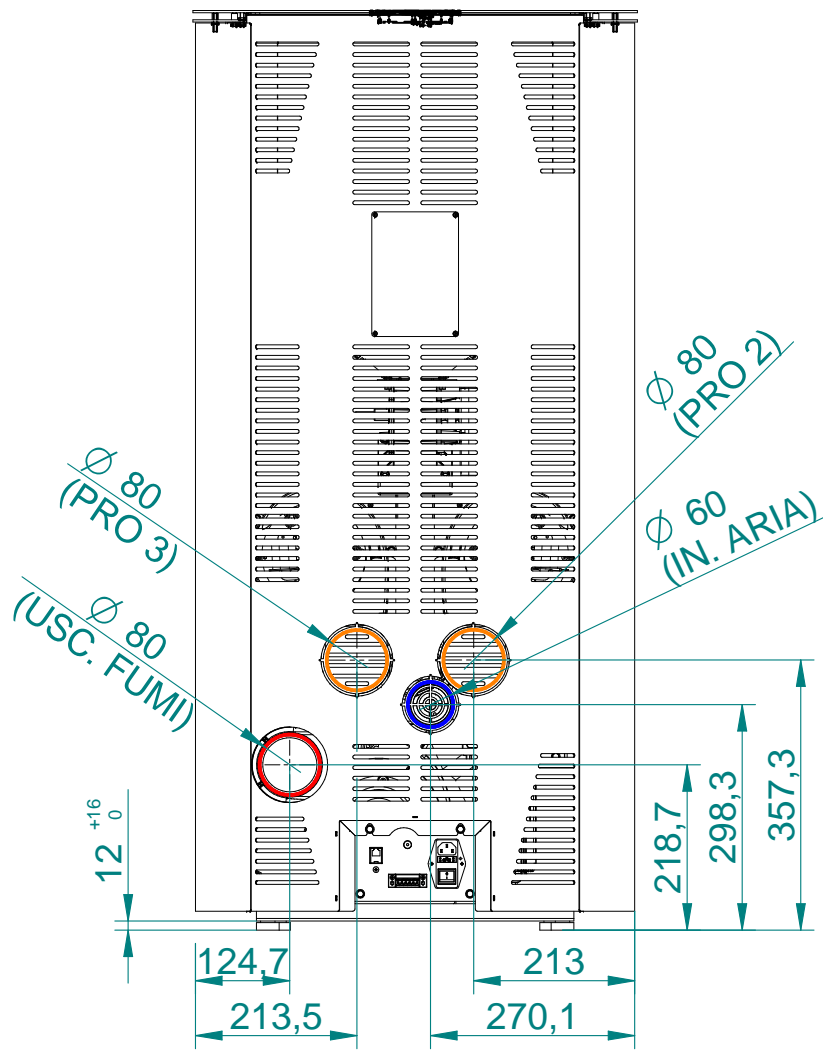
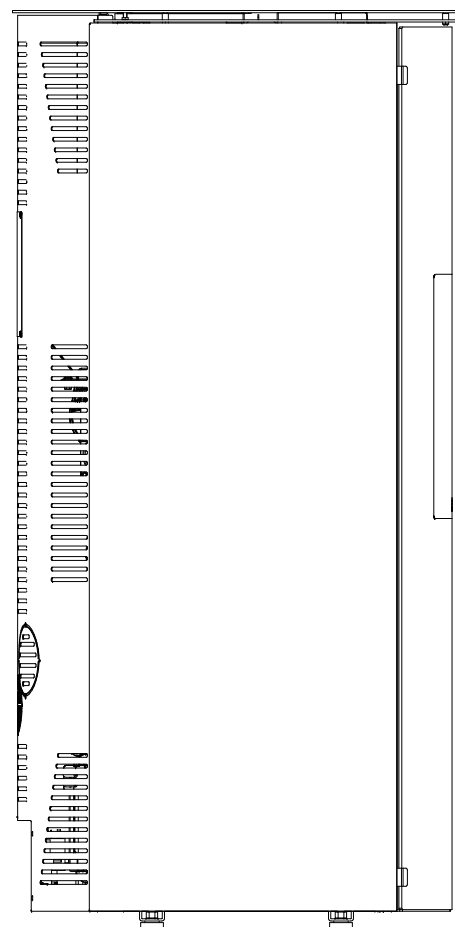
**Изготовлено в Италии
Италияда жасалған**



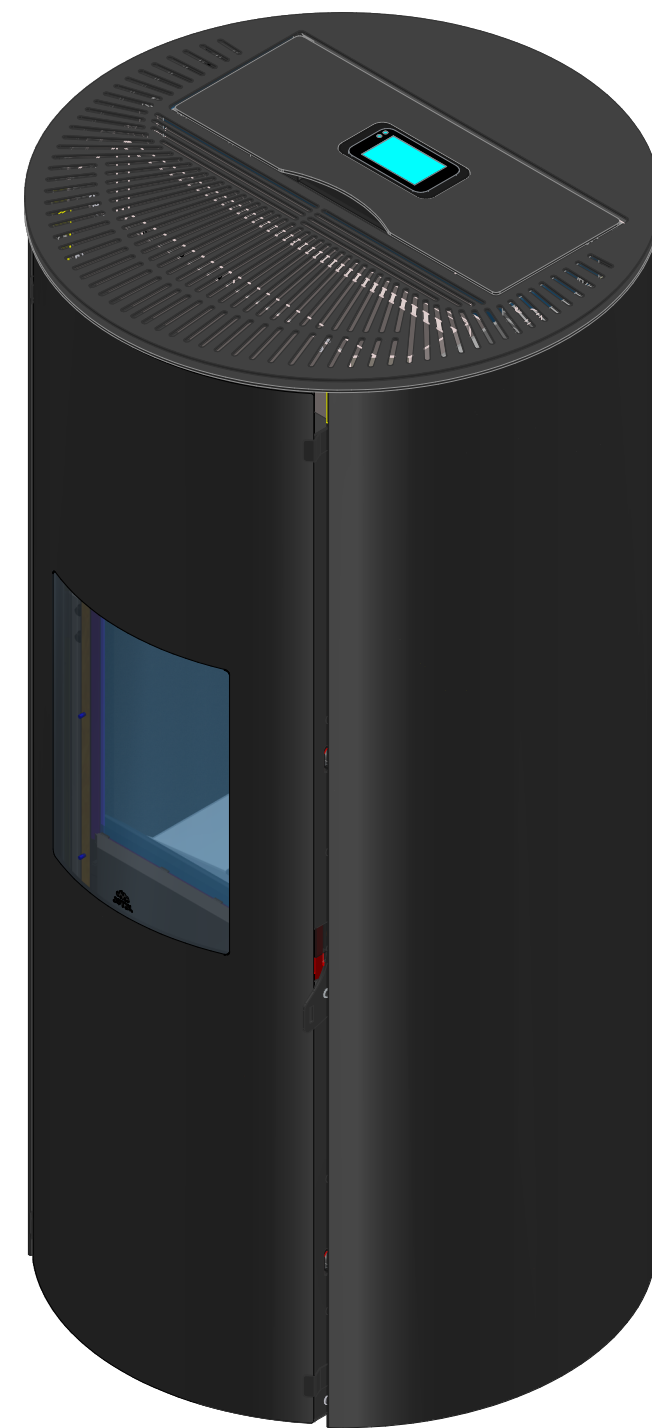
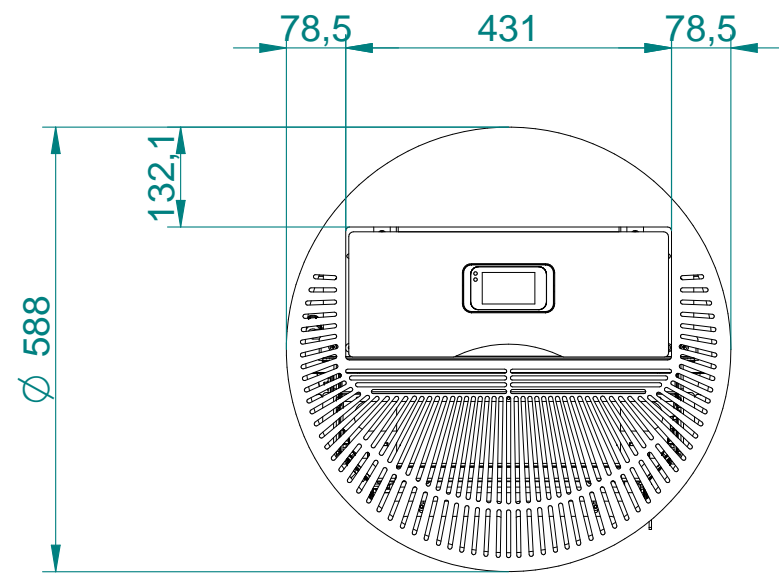
A03



A →



VISTA A



Nr.	MODIFICATIONS	DATE	DRAWN BY	SCALE
				1:10
			MASS	170,576 kg (0)
			DATE	06/06/2022
			DRAWN BY	Dario Gallo
			PREVIUS No.	ID1487
PART NAME STUFA PELLETT JOTUL PF1320S NERA				DESIGNER DG
TREATMENT		MATERIAL		
PALAZZETTI		PART No. ID1487 JOTUL PF 1320 S		

ACCORDING TO THE APPLICABLE LAW, PALAZZETTI LELIO SpA CONSIDERS THIS DOCUMENT A COMPANY SECRET AND THEREFORE THE TOTAL OR PARTIAL REPRODUCTION AND/OR DIFFUSION THEREOF TO THIRD PARTIES OR TO COMPETITORS, WITHOUT PRIOR WRITTEN AUTORIZ. OF THE PALAZZETTI LELIO SpA MANAGENT, IS STRICTLY FORBIDDEN.

THE OBJECTS MUST BE IN COMPLIANCE WITH REG. (EC) N.1935/2004 ABOUT MATERIALS IN CONTACT WITH FOOD AND ITS UPDATES AND AMENDMENTS.

YES NO

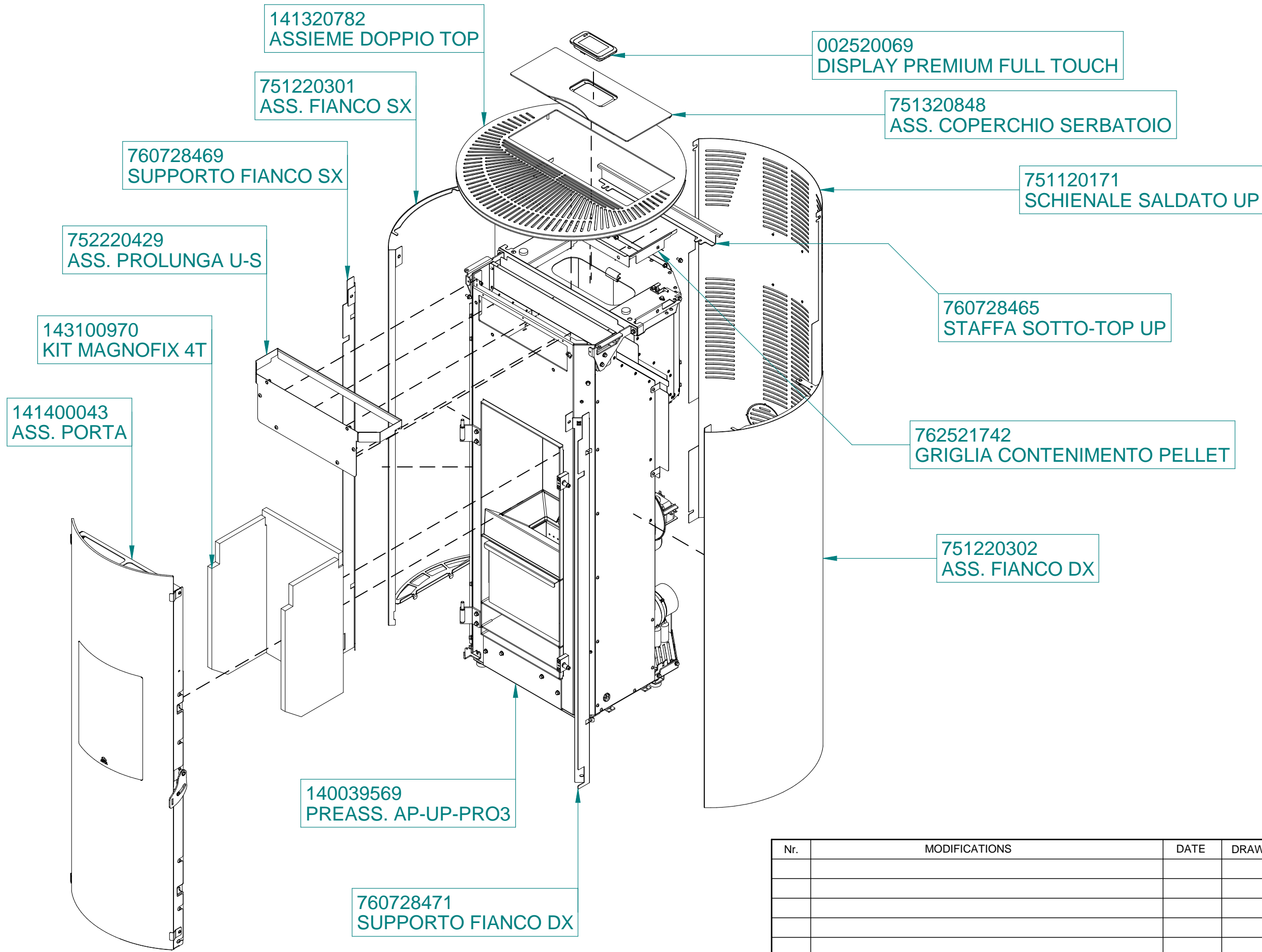
COMPONENTS IN COMPLIANCE WITH DIR. 2011/65/60 (RoHS RECAST) AND FURTHER UPDATES AND AMEND

THE COMPONENT AND ITS CONSTITUENT MATERIALS MUST COMPLY WITH REG. (EC) N.1907/2006 (REACH) INCLUDING RELATIVE ANNEXES (SPECIALLY XIV AND XVII). UP-DATES AND AMEND THE TOTAL CONTENT OF EACH INDIVIDUAL SVHC SUBSTANCE MUST NOT EXCEED THE REF. VALUE AS DEFINED IN THE LATEST UPDATE OF THE REG.

☒ = DIMENSIONS TO BE KEPT UNDER CONTROL DURING PRODUCTION.

GENERAL TOLERANCES
UNI EN 22768/1 - m
UNI EN 22768/2 - mk

--- VISIBLE SURFACE FINISH



THE OBJECTS MUST BE IN COMPLIANCE WITH REG. (EC) N. 1935/2004 ABOUT MATERIALS IN CONTACT WITH FOOD AND ITS UPDATES AND AMENDMENTS.

YES NO

COMPONENTS IN COMPLIANCE WITH DIR. 2011/65/60 (RoHS RECAST) AND FURTHER UPDATES AND AMEND

THE COMPONENT AND ITS CONSTITUENT MATERIALS MUST COMPLY WITH REG. (EC) N. 1907/2006 (REACH) INCLUDING RELATIVE ANNEXES (SPECIALLY XIV AND XVII). UP-DATES AND AMEND THE TOTAL CONTENT OF EACH INDIVIDUAL SVHC SUBSTANCE MUST NOT EXCEED THE REF. VALUE AS DEFINED IN THE LATEST UPDATE OF THE REG.

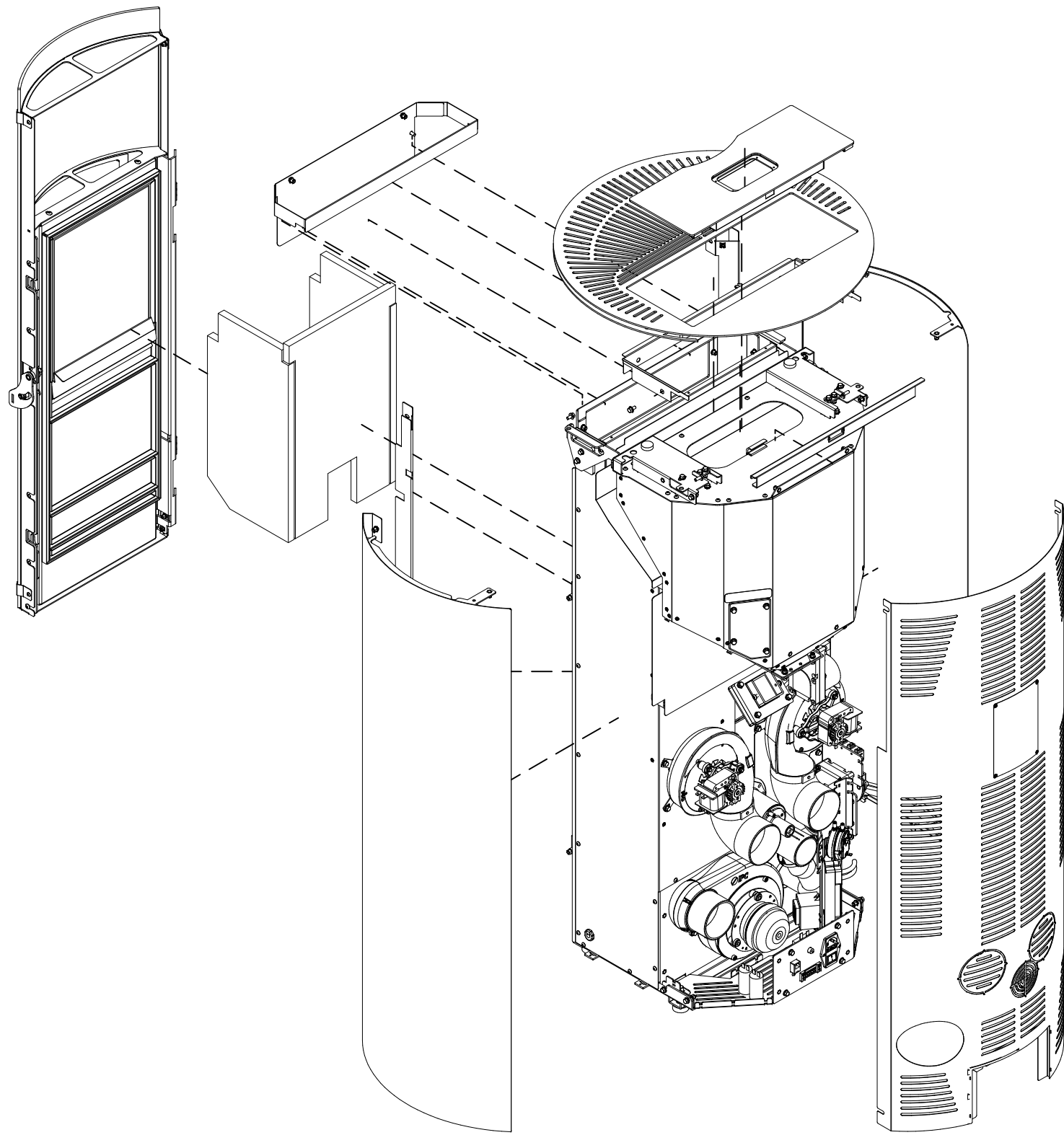
☞ = DIMENSIONS TO BE KEPT UNDER CONTROL DURING PRODUCTION.

GENERAL TOLERANCES
UNI EN 22768/1 - m
UNI EN 22768/2 - mk

--- VISIBLE SURFACE FINISH

Nr.	MODIFICATIONS	DATE	DRAWN BY	SCALE
				1:10
			MASS	170,576 kg (0)
			DATE	06/06/2022
			DRAWN BY	Dario Gallo
			PREVIUS No.	ID1487
PART NAME STUFA PELLETT JOTUL PF1320S NERA				DESIGNER DG
TREATMENT		MATERIAL		
PALAZZETTI		PART No. ID1487 JOTUL PF 1320 S		

ACCORDING TO THE APPLICABLE LAW, PALAZZETTI LELIO SpA CONSIDERS THIS DOCUMENT A COMPANY SECRET AND THEREFORE THE TOTAL OR PARTIAL REPRODUCTION AND/OR DIFFUSION THEREOF TO THIRD PARTIES OR TO COMPETITORS, WITHOUT PRIOR WRITTEN AUTORIZ. OF THE PALAZZETTI LELIO SpA MANAGENT, IS STRICTLY FORBIDDEN.



Nr.	MODIFICATIONS	DATE	DRAWN BY	SCALE
				1:10
			MASS	170,576 kg (0)
			DATE	06/06/2022
			DRAWN BY	Dario Gallo
			PREVIUS No.	ID1487
PART NAME STUFA PELLETT JOTUL PF1320S NERA				DESIGNER DG
TREATMENT		MATERIAL		
PALAZZETTI		PART No. ID1487 JOTUL PF 1320 S		

ACCORDING TO THE APPLICABLE LAW, PALAZZETTI LELIO SpA CONSIDERS THIS DOCUMENT A COMPANY SECRET AND THEREFORE THE TOTAL OR PARTIAL REPRODUCTION AND/OR DIFFUSION THEREOF TO THIRD PARTIES OR TO COMPETITORS, WITHOUT PRIOR WRITTEN AUTORIZ. OF THE PALAZZETTI LELIO SpA MANAGENT, IS STRICTLY FORBIDDEN.

THE OBJECTS MUST BE IN COMPLIANCE WITH REG. (EC) N.1831/2003 ABOUT MATERIALS IN CONTACT WITH FOOD AND ITS UPDATES AND AMENDMENTS.

YES NO

COMPONENTS IN COMPLIANCE WITH DIR. 2011/65/60 (RoHS RECAST) AND FURTHER UPDATES AND AMEND

THE COMPONENT AND ITS CONSTITUENT MATERIALS MUST COMPLY WITH REG. (EC) N.1907/2006 (REACH) INCLUDING RELATIVE ANNEXES (SPECIALLY XIV AND XVII). UP-DATES AND AMEND THE TOTAL CONTENT OF EACH INDIVIDUAL SVHC SUBSTANCE MUST NOT EXCEED THE REF. VALUE AS DEFINED IN THE LATEST UPDATE OF THE REG.

☞ = DIMENSIONS TO BE KEPT UNDER CONTROL DURING PRODUCTION.

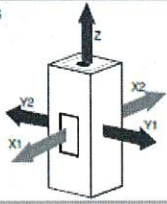
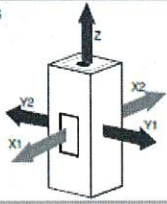
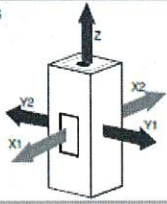
GENERAL TOLERANCES
UNI EN 22768/1 - m
UNI EN 22768/2 - mk

--- VISIBLE SURFACE FINISH

A04

DÉCLARATION DE PERFORMANCE Selon le règlement (UE) n° 305/2011 Nr. P00054565

FR

1	Code d'identification unique du produit-type	PF 1320 S																																										
2	Modèle et/ou n° de lot et/ou n° de série (Art. 11-4)	PF 1320 S																																										
3	Utilisation prévue du produit conformément aux spécifications techniques harmonisées correspondantes	Appareil de chauffage domestique alimenté au pellet de bois, sans production d'eau chaude																																										
4	Nom ou marque enregistrée du fabricant (Art. 11-5)	- JÖTUL FRANCE SAS 3, chemin du jubin 69574 Dardilly Cedex																																										
5	Nom et adresse du mandataire (Art. 12-2)																																											
6	Système d'évaluation et contrôle de la constance de performance (Annexe 5)	System 3 - System 4																																										
7	Laboratoire notifié	TÜV Rheinland Energy GmbH n° 2456																																										
	Numéro du rapport d'essai (selon le System 3)	K34732024Z1																																										
8	Performance déclarée																																											
	<table border="1"> <thead> <tr> <th colspan="2">Spécifications techniques harmonisées</th> <th>EN 14785:2006</th> </tr> <tr> <th colspan="2">Caractéristiques essentielles</th> <th>Performance</th> </tr> </thead> <tbody> <tr> <td>Résistance au feu</td> <td></td> <td>A1</td> </tr> <tr> <td>Distance de sécurité aux matériaux combustibles</td> <td></td> <td>Distance minimum, en mm X1=800 X2=50 Y1=200 Y2=200 Z=750</td> </tr> <tr> <td></td> <td></td> <td></td> </tr> <tr> <td>Risque de fuite de combustible</td> <td></td> <td>Conforme</td> </tr> <tr> <td>Émission des produits de combustion (CO)</td> <td><i>Puissance nominale</i> <i>Puissance réduite</i></td> <td>CO 0.003 % CO 0.015 %</td> </tr> <tr> <td>Température de surface</td> <td></td> <td>Conforme</td> </tr> <tr> <td>Sécurité électrique</td> <td></td> <td>Conforme</td> </tr> <tr> <td>Facilité d'accès et nettoyage</td> <td></td> <td>Conforme</td> </tr> <tr> <td>Résistance mécanique (pour soutenir la cheminée)</td> <td></td> <td>NPD</td> </tr> <tr> <td>Performance thermique</td> <td><i>Puissance nominale</i> <i>Puissance rendue au milieu</i></td> <td>13 kW 13 kW</td> </tr> <tr> <td>Rendement</td> <td><i>Puissance nominale</i> <i>Puissance réduite</i></td> <td>η 90.5 % η 90.9 %</td> </tr> <tr> <td>Température des fumées</td> <td><i>Puissance nominale</i></td> <td>T 221 °C</td> </tr> </tbody> </table>		Spécifications techniques harmonisées		EN 14785:2006	Caractéristiques essentielles		Performance	Résistance au feu		A1	Distance de sécurité aux matériaux combustibles		Distance minimum, en mm X1=800 X2=50 Y1=200 Y2=200 Z=750				Risque de fuite de combustible		Conforme	Émission des produits de combustion (CO)	<i>Puissance nominale</i> <i>Puissance réduite</i>	CO 0.003 % CO 0.015 %	Température de surface		Conforme	Sécurité électrique		Conforme	Facilité d'accès et nettoyage		Conforme	Résistance mécanique (pour soutenir la cheminée)		NPD	Performance thermique	<i>Puissance nominale</i> <i>Puissance rendue au milieu</i>	13 kW 13 kW	Rendement	<i>Puissance nominale</i> <i>Puissance réduite</i>	η 90.5 % η 90.9 %	Température des fumées	<i>Puissance nominale</i>	T 221 °C
Spécifications techniques harmonisées		EN 14785:2006																																										
Caractéristiques essentielles		Performance																																										
Résistance au feu		A1																																										
Distance de sécurité aux matériaux combustibles		Distance minimum, en mm X1=800 X2=50 Y1=200 Y2=200 Z=750																																										
																																												
Risque de fuite de combustible		Conforme																																										
Émission des produits de combustion (CO)	<i>Puissance nominale</i> <i>Puissance réduite</i>	CO 0.003 % CO 0.015 %																																										
Température de surface		Conforme																																										
Sécurité électrique		Conforme																																										
Facilité d'accès et nettoyage		Conforme																																										
Résistance mécanique (pour soutenir la cheminée)		NPD																																										
Performance thermique	<i>Puissance nominale</i> <i>Puissance rendue au milieu</i>	13 kW 13 kW																																										
Rendement	<i>Puissance nominale</i> <i>Puissance réduite</i>	η 90.5 % η 90.9 %																																										
Température des fumées	<i>Puissance nominale</i>	T 221 °C																																										
9	La performance du produit citée aux points 1 et 2 est conforme à la performance déclarée au point 8.																																											

Cette déclaration de performance est délivrée sous la responsabilité exclusive du fabricant cité au point 4.

PLACE, DATE : Dardilly, 12/03/2024

SIGNATURE




A05

DICHIARAZIONE FINALIZZATA ALLA PROVA INIZIALE DI TIPO: commercializzatore
DECLARATION FOR INITIAL TYPE TESTING: marketer

Il sottoscritto:
The undersigned:
nella funzione di:
in quality of (position in the company):
dell'azienda:
of the company:
con sede in:
located in:

Jotul

Dichiara che:
declares that:

- **procederà a commercializzare, immettendo sul mercato con il proprio nome, il seguente**
will market, placing in the market using the own product name, the following

Apparecchio(i) tipo: *PF 1320 S*
Appliance/s type:
Marchio commerciale: *Jotul*
Trade Mark:

- **Tale apparecchio viene realizzato dal seguente costruttore, anche con la seguente denominazione:**
The above mentioned appliance(s) is manufactured by the following manufacturer, also with the following name:

Apparecchio(i) tipo: *AP400S_0_13*
Appliance/s type:
Marchio commerciale: *Palazzetti*
Trade Mark:
Costruttore: *Palazzetti Lelio S.p.a*
Manufacturer:

Le principali differenze sono:

The main differences are:

Il marchio commerciale. *Commercial name*

Il design del rivestimento estetico dell'apparecchiatura. *The external design*

- **Non saranno apportate modifiche, rispetto al modello di derivazione.**
No modifications have to be introduced on the appliance compared the based models
- **Il manuale avrà lo stesso contenuto.**
The Manual will have the same content

Data / Date: *12-03-2024*

Firma / Signature:

